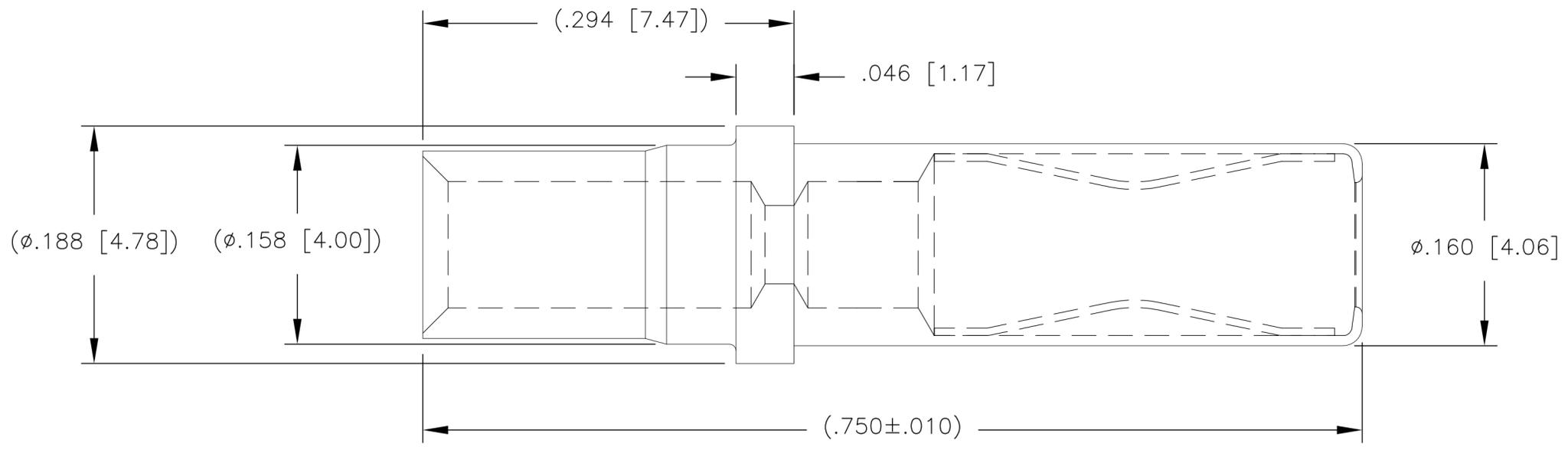


THIS DRAWING IS UNPUBLISHED. RELEASED FOR PUBLICATION
 © COPYRIGHT - By - ALL RIGHTS RESERVED.

EC		LOC	DIST	REVISIONS					
CPR		-	-	P	LTR	DESCRIPTION	DATE	DWN	APVD
				B1		REVISED PER ECO-11-005150	21MAR11	RK	HMR



- 4. FINISHES:
 SOCKET BODY: SILVER PLATED.
 CROWN: GOLD PLATED.
- 3. MATERIALS:
 SOCKET BODY: COPPER ALLOY.
 CROWN: BeCu
- 2. ITEMS PROVIDED TO THIS SPECIFICATION SHALL BE IDENTIFIED WITH THE FOLLOWING MINIMUM INFORMATION ON THE SHIPPING PACKAGE MFG IDENT, PART NUMBER AND DATE CODE OF MANUFACTURE.
- 1. PART NUMBER AND/OR DESIGN CHANGES AFFECTING ITEM INTERCHANGEABILITY REQUIRE PRIOR TE CONNECTIVITY APPROVAL AND AUTHORIZATION BY REVISION TO THIS DRAWING.

NOTES: UNLESS OTHERWISE SPECIFIED

THIS DRAWING IS A CONTROLLED DOCUMENT.		DWN	12/05/05	STE TE Connectivity	
		LOVATO/M. ALIM	-		
DIMENSIONS: INCH(MM)		CHK	-	NAME D. CHAU	
		APVD	12/05/05		
TOLERANCES UNLESS OTHERWISE SPECIFIED:		PRODUCT SPEC		CONTACT, SOCKET, SIZE #12 CRIMP REMOVABLE PN 6648318-1	
0 PLC ± -		APPLICATION SPEC			
1 PLC ± -		-		SIZE A2	
2 PLC ± 0.02(0.5)		-			
3 PLC ± 0.010(0.25)		-		CAGE CODE 00779	
4 PLC ± -		-			
ANGLES ± 0.5°		-		DRAWING NO 6648318	
FINISH		-			
MATERIAL		WEIGHT		RESTRICTED TO -	
-		-			
		CUSTOMER DRAWING		SCALE 10:1 SHEET 1 of 1 REV B1	